

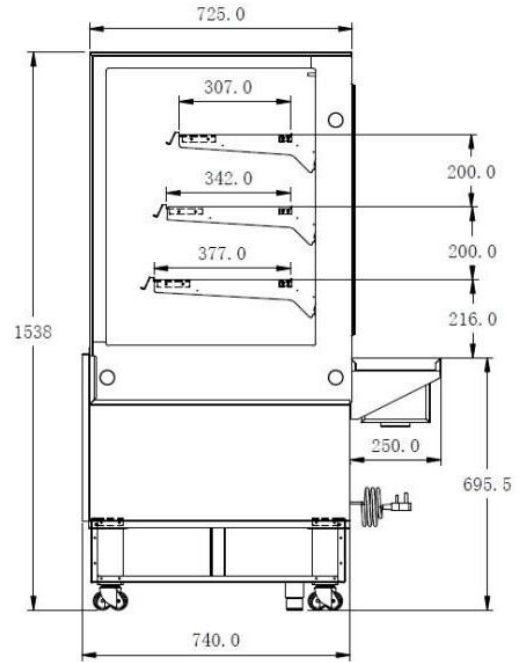
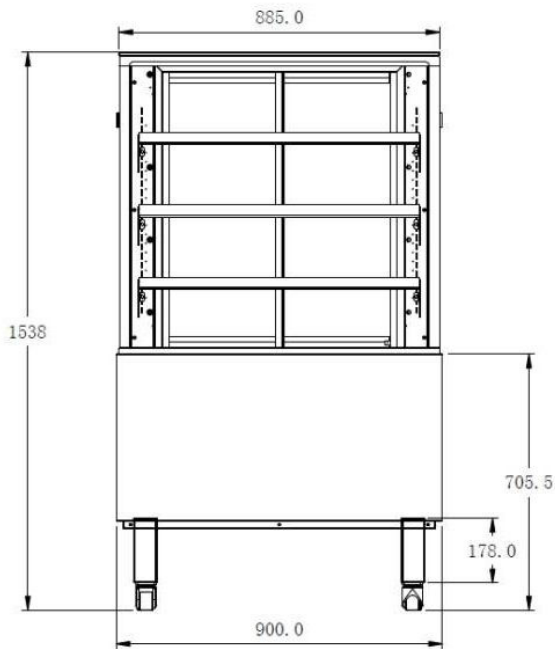
Food Display 900mm - 4 Tier



Stainless steel rear service shelf with space for tongs and bags



**Food Display
900mm - 4 Tier**



SPECIFICATIONS **DIMENSIONS**

Part Number	3736308-SS-1	Plug Location	Rear, Bottom Right	External (mm)
Volume	417L	Internal Light	LED	Width 900
Unit Weight	230kg	No. of Doors	2	Depth 990
Packaged Weight	240kg	Door Type	Glass	Height 1538
Adjustable Temp. Range	+1°C to +5°C	Door Glass Type	Double Glazed	Internal (mm)
Max. Ambient Temp. Range	32°C	Door Style	Sliding	Width 874
Climate Class	3M1	Self-Closing Door	No	Depth 647
Energy Consumption	12.5kWh/24h	No. of Shelves Incl. Base Per Door	4	Height 828
GEMS Star Rating	4 Stars	Shelves Type	Adjustable	Internal (mm)
Refrigeration Capacity	700W	Shelf Dimensions	817(w) x 307(d) mm, 817(w) x 342(d) mm, 817(w) x 377(d) mm	Width 874
Refrigerant	R290	Temp. Controller	Digital	Depth 647
Rated Current	4.1A	Castors	Yes	Height 828
Electrical Voltage	220-240V	Warranty	5 Years Bromic Extra Care Warranty - Parts and Labour	Packaged (mm)
Frequency	50Hz			Width 1000
Power Supply	Single Phase			Depth 1100
Power Plug	1 x 10A			Height 1688