

BROMIC
REFRIGERATION

Confidence and control.

Under Bench Range

Display | Storage





Industry Leaders in Plug-in Commercial Refrigeration



Refrigeration Specialists

Over 24 years, we have curated a range that spans the wide spectrum of plug-in refrigeration equipment to meet the needs of businesses in hospitality, retail, and healthcare sectors.



Expert Local Support

We offer a tailored equipment solution, taking into consideration your specific needs. We then connect you with a trusted local dealer who stocks the units you require.



Confident Compliance

Our in-house engineering team ensures that our products meet and exceed Australian standards and regulations, including MEPS, GEMS, RCM, Watermark, and others.



Energy Efficiency and Sustainability

We proudly lead the way with our Green Cooling initiative. 90% of our range utilises natural refrigerants, which are highly energy-efficient and have a close to 0 GWP (Global Warming Potential).



Available Australia-wide

With a nationwide distribution network, we can deliver our refrigeration products to your door quickly and efficiently.



Extra Care Warranty Service

We offer a one-stop support service for your peace of mind, no matter where you are in Australia.

Legend



NON-PERISHABLE DRINKS



HOT FOODS



DAIRY PRODUCTS



ICE CREAM/GELATO



PERISHABLE PRODUCTS



FROZEN PRODUCTS



BAKERY/CONFECTIONERY



MEDICAL PRODUCTS

ICE TYPES	
	SOLID ICE
	HOLLOW ICE
	HALF-DICE ICE
	FLAKE ICE



Back Bar Display Fridges

Bromic's Back Bar Fridges have been designed for installation under an industry-standard bench and offers quick and consistent cooling, ensuring your beverages are always ready at the ideal serving temperature.

Back Bar Display Fridges

Our Back Bar Fridges boast a sleek, modern design that complements any bar setting. With adjustable shelving, they can accommodate a diverse range of beverages, making it easy to organise and access them.

Save floor space with seamless under bench installation for a neat and tidy bar area

Adjustable shelves to fit bottles of all shapes and sizes for maximum storage

Narrow wired shelf design to keep bottles securely in place

Digital controller ensures your drinks are always at the perfect temperature for serving

Double-glazing prevents condensation and keeps your drinks clearly visible

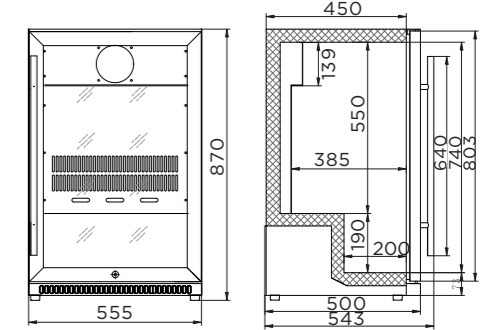
Bright LED lighting enhances the visibility of the drinks and attract customers' attention

Durable construction to withstand the demands of a busy commercial environment

Natural refrigerant to keep your energy bills low and lower your carbon footprint



Full length door handle:



Back Bar Display Fridge (Hinged)

BB0120GD-NR-1

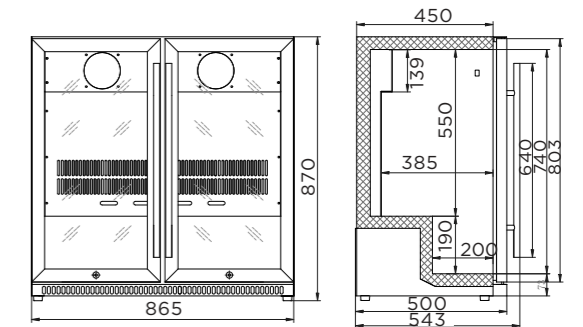
Part No.	Volume	Weight
3736070-1	118L	58kg
	External (mm)	Internal (mm)
Width	555	470
Depth	543	385
Height	870	740

- Temperature range: +1°C to +10°C
- Max ambient temp: 38°C
- 6 stars GEMS rating
- 3M1 climate class
- 3 shelf tiers including base for optimal product display

2 YEAR EXTRA CARE WARRANTY



HANDLE TOP TO BOTTOM



Back Bar Display Fridge 2 Doors (Hinged)

BB0200GD-NR-1

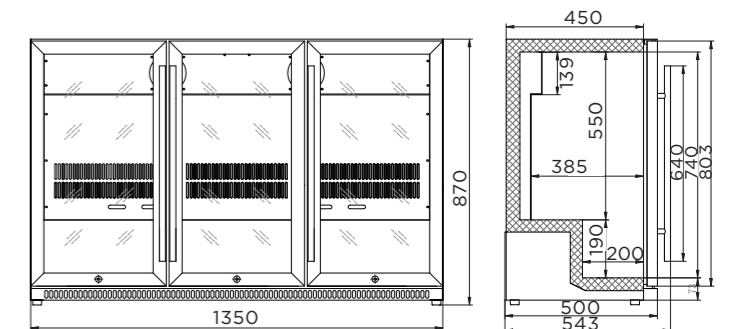
Part No.	Volume	Weight
3736071-1	190L	72kg
	External (mm)	Internal (mm)
Width	865	781
Depth	543	385
Height	870	740

- Temperature range: +1°C to +10°C
- Max ambient temp: 38°C
- 4 stars GEMS rating
- 3M1 climate class
- 3 shelf tiers including base for optimal product display

2 YEAR EXTRA CARE WARRANTY



HANDLE TOP TO BOTTOM



Back Bar Display Fridge 3 Doors (Hinged)

BB0330GD-NR-1

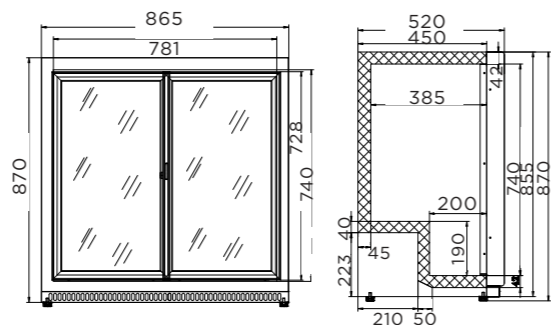
Part No.	Volume	Weight
3736073-1	307L	90kg
	External (mm)	Internal (mm)
Width	1350	1265
Depth	543	385
Height	870	740

- Temperature range: +1°C to +10°C
- Max ambient temp: 38°C
- 3 stars GEMS rating
- 3M1 climate class
- 3 shelf tiers including base for optimal product display

2 YEAR EXTRA CARE WARRANTY



HANDLE TOP TO BOTTOM



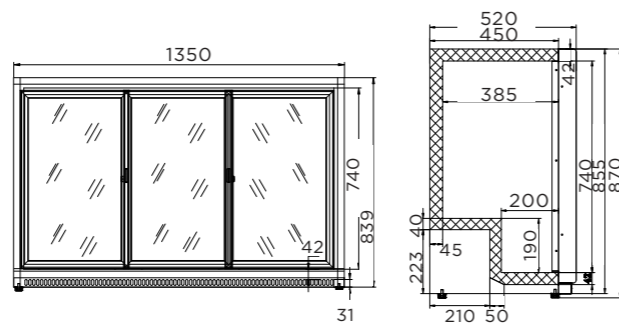
Back Bar Display Fridge 2 doors (Sliding) **BB0200GDS-NR-1**

Part No.	Volume	Weight
3736072-1	190L	72kg

- Temperature range: +1°C to +10°C
- Max ambient temp: 38°C
- 4 stars GEMS rating
- 3M1 climate class
- High-impact LED lighting for perfect product presentation

	External (mm)	Internal (mm)	Packaged (mm)
Width	865	781	915
Depth	520	385	564
Height	870	740	895

2 YEAR EXTRA CARE WARRANTY



Back Bar Display Fridge 3 Doors (Sliding) **BB0330GDS-NR-1**

Part No.	Volume	Weight
3736074-1	307L	90kg

- Temperature range: +1°C to +10°C
- Max ambient temp: 38°C
- 3 stars GEMS rating
- 3M1 climate class
- High-impact LED lighting for perfect product presentation

	External (mm)	Internal (mm)	Packaged (mm)
Width	1350	1265	1395
Depth	520	385	564
Height	870	740	895

2 YEAR EXTRA CARE WARRANTY



Model	BB0120GD-NR-1	BB0200GD-NR-1	BB0330GD-NR-1	BB0200GDS-NR-1	BB0330GDS-NR-1
Part Number	3736070-1	3736071-1	3736073-1	3736072-1	3736074-1
External Width (mm)*	555	865	1350	865	1350
External Depth (mm)*	543	543	543	520	520
External Height (mm)*	870	870	870	870	870
Volume	118L	190L	307L	190L	307L
Unit Weight	58kg	72kg	90kg	72kg	90kg
Adjustable Temp. Range	+1 to +10°C	+1 to +10°C	+1 to +10°C	+1 to +10°C	+1 to +10°C
Max. Ambient Temp.	38°C	38°C	38°C	38°C	38°C
Climate Class	3M1	3M1	3M1	3M1	3M1
Energy Consumption	1.44kWh/24h	2.6kWh/24h	3.58kWh/24h	2.6kWh/24h	3.58kWh/24h
GEMS Star Rating	6 stars	4 stars	3 stars	4 stars	3 stars
Refrigeration Capacity	182W	213W	408W	213W	408W
Rated Current	0.95A	1.2A	2.1A	1.2A	2.1A
Electrical Voltage	220-240V	220-240V	220-240V	220-240V	220-240V
Refrigerant	R600	R600	R600	R600	R600
Frequency	50Hz	50Hz	50Hz	50Hz	50Hz
Power Supply	Single Phase	Single Phase	Single Phase	Single Phase	Single Phase
Power Plug	1 x 10A	1 x 10A	1 x 10A	1 x 10A	1 x 10A
Plug Location	Rear, bottom	Rear, bottom	Rear, bottom	Rear, bottom	Rear, bottom

Features	BB0120GD-NR-1	BB0200GD-NR-1	BB0330GD-NR-1	BB0200GDS-NR-1	BB0330GDS-NR-1
Internal Light	LED	LED	LED	LED	LED
Number of Doors	1	2	3	2	3
Door Type	Glass	Glass	Glass	Glass	Glass
Door Glass Type	Double Glazed	Double Glazed	Double Glazed	Double Glazed	Double Glazed
Door Style	Hinged	Hinged	Hinged	Sliding	Sliding
Door Swing Dimension	553mm	424mm	444mm	-	-
Total Depth of Door Open	1022mm	894mm	933mm	-	-
Self-Closing Door	Yes	Yes	Yes	Yes	Yes
Door Lock	Yes	Yes	Yes	Yes	Yes
Number of Shelf Tiers incl. Base	3	3	3	3	3
Shelf Type	Adjustable	Adjustable	Adjustable	Adjustable	Adjustable
Shelves Dimensions	456(w) x 360(d) mm	370(w) x 326(d) mm	370(w) x 326(d) mm	370(w) x 326(d) mm	370(w) x 326(d) mm
Temp. Controller	Digital	Digital	Digital	Digital	Digital
Feet / Castors	No, adjustable feet	No, adjustable feet	No, adjustable feet	No, adjustable feet	No, adjustable feet
Colour	Black	Black	Black	Black	Black

Warranty	BB0120GD-NR-1	BB0200GD-NR-1	BB0330GD-NR-1	BB0200GDS-NR-1	BB0330GDS-NR-1
Parts & Labour (Years)	2	2	2	2	2
Bromic Extra Care	Yes	Yes	Yes	Yes	Yes



Under Bench Fridges & Freezers

Bromic's Under Bench Fridges and Freezers have been specifically developed to withstand heavy use in the hospitality industry. They slot seamlessly underneath an industry-standard bench and are available in one- to four-door configurations.

Under Bench Glass Door Fridges

Our Under Bench Glass Door Fridges are ideal for storing a range of perishable food and drinks, including dairy. Equipped with clear glass doors for easy stock management and LED lighting for enhanced visibility, these fridges are perfectly suited for cafes, bars, and restaurants.

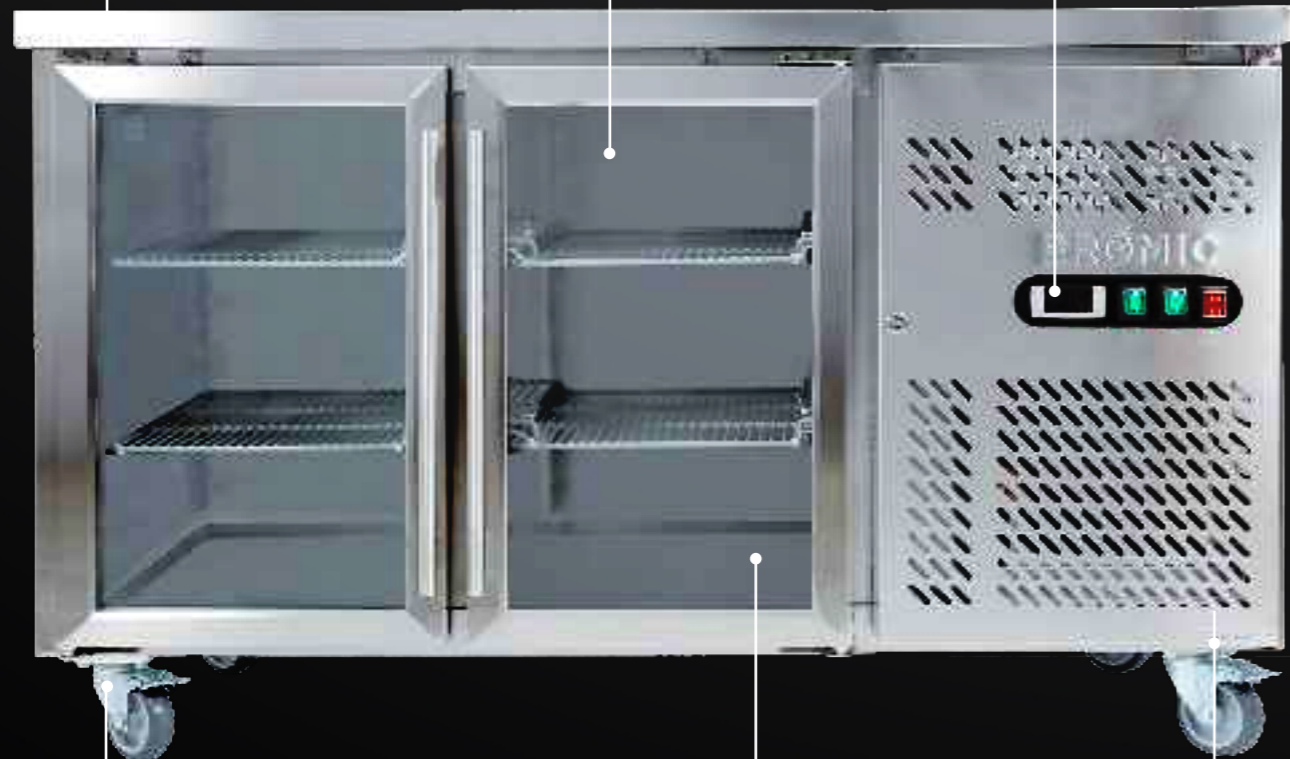
The food-grade stainless steel bench top provides a hygienic surface and doubles as an additional workspace

Keep your bar area neat and tidy with our seamless under bench installation, saving valuable floor space

Additional shelf extenders and narrow wired shelf design ensure items stay securely in place

With adjustable shelves and a base per door, you can easily fit items of various sizes, maximising your storage

The digital controller ensures that your drinks are always kept at the ideal temperature for serving



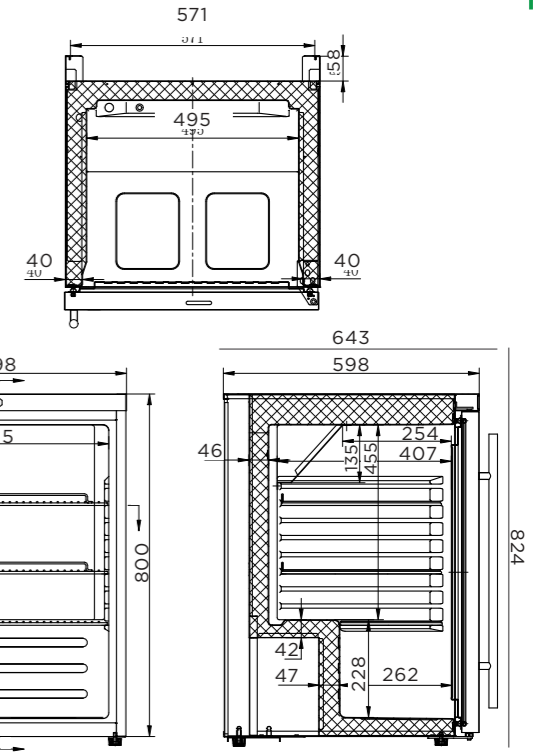
Move and position the fridge effortlessly with the castors, allowing you to adapt the setup according to your needs

The double-glazed safety glass door prevents condensation, providing a clear view of your drinks at all times

Easily find what you're looking for with the bright LED lighting that illuminates the fridge, ensuring excellent visibility

Our fridge uses a natural refrigerant, which not only helps you save on energy bills but also reduces your carbon footprint

Designed for the demands of a busy commercial environment, our fridge features a durable stainless steel construction that can withstand heavy use



Under Bench Glass Door Fridge (Hinged)

UBC0140GD-NR

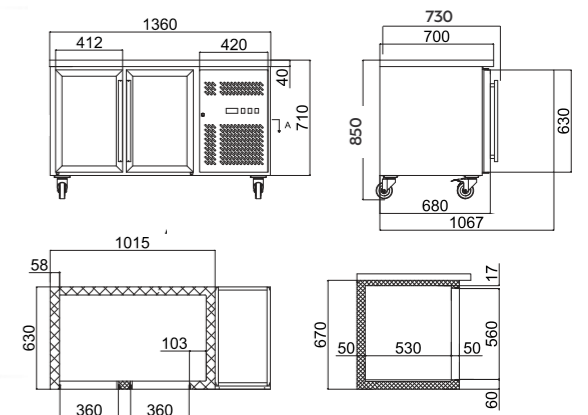
Part No.	Volume	Weight
3736255	138L	45kg
External (mm)	Internal (mm)	Packaged (mm)
Width	598	490
Depth	643	400
Height	824	680

- Temperature range: +1°C to +10°C
- Max ambient temp: 32°C
- 6 stars GEMS rating
- 3M1 climate class
- 4 shelf tiers including base for optimal product display

2 YEAR EXTRA CARE WARRANTY



FULL STAINLESS STEEL EXTERIOR



Under Bench Glass Door Fridge 2 Doors (Hinged)

UBC1360GD-NR

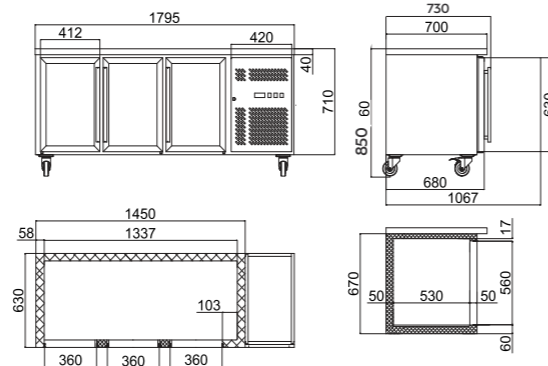
Part No.	Volume	Weight
3735213-NR	282L	122kg
External (mm)	Internal (mm)	Packaged (mm)
Width	1360	902
Depth	730	530
Height	850	589

- Temperature range: +1°C to +5°C
- Max ambient temp: 32°C
- 3 stars GEMS rating
- 3M1 climate class
- 3 shelf tiers including base for optimal product display

2 YEAR EXTRA CARE WARRANTY



FULL STAINLESS STEEL EXTERIOR



Under Bench Glass Door Fridge 3 Doors (Hinged) UBC1795GD-NR

Part No.	Volume	Weight
3735211-NR	417L	151kg

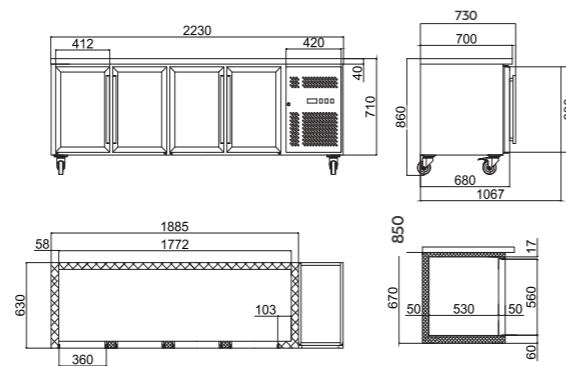
- Temperature range: +1°C to +5°C
- Max ambient temp: 32°C
- 2 stars GEMS rating
- 3M1 climate class
- 3 shelf tiers including base for optimal product display

	External (mm)	Internal (mm)	Packaged (mm)
Width	1795	1337	1825
Depth	730	530	730
Height	850	589	910

2 YEAR EXTRA CARE WARRANTY



FULL STAINLESS STEEL EXTERIOR



Under Bench Glass Door Fridge 4 Doors (Hinged) UBC2230GD-NR

Part No.	Volume	Weight
3735212-NR	553L	180kg

- Temperature range: +1°C to +5°C
- Max ambient temp: 32°C
- 2 stars GEMS rating
- 3M1 climate class
- 3 shelf tiers including base for optimal product display

	External (mm)	Internal (mm)	Packaged (mm)
Width	2230	1772	2260
Depth	730	530	740
Height	850	589	910

2 YEAR EXTRA CARE WARRANTY



FULL STAINLESS STEEL EXTERIOR



Under Bench Storage Fridges

Built with sturdy stainless steel to withstand daily wear and tear, our Under Bench Fridges feature a spacious interior and adjustable shelves, making them a practical choice for any busy café, restaurant, or bar.

The food-grade stainless steel bench top provides a hygienic surface and doubles as an additional workspace

Keep your bar area neat and tidy with our seamless under bench installation, saving valuable floor space

Our fridge uses a natural refrigerant, which not only helps you save on energy bills but also reduces your carbon footprint

Stainless steel self-closing doors minimise temperature loss, ensuring your items stay perfectly chilled without wasting energy



Move and position the fridge effortlessly with the castors, allowing you to adapt the setup according to your needs

With adjustable shelves and a base per door, you can easily fit items of all shapes and sizes, maximising your storage

Easily adjust and monitor the temperature to ensure your items are kept at the perfect temperature

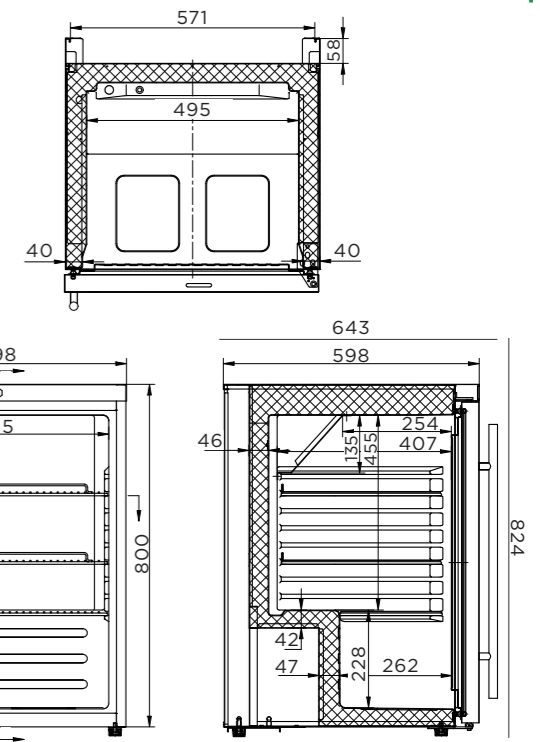
Narrow wired shelf design and shelf extenders ensure items stay securely in place

The internal LED lighting illuminates the interior of the fridge, making it easy to locate and identify specific products, even in low-light conditions

Designed for the demands of a busy commercial environment, our fridge features a durable stainless steel construction that can withstand heavy use



Under Bench Solid Door Storage Fridges

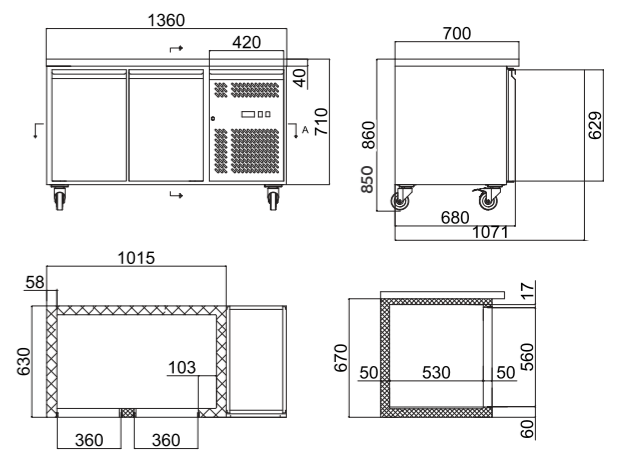


Under Bench Storage Fridge **UBC0140SD-NR**

Part No.	Volume	Weight	<ul style="list-style-type: none"> • Temperature range: +1°C to +10°C • Max ambient temp: 32°C • 8 stars GEMS rating • 3M1 climate class • 4 shelf tiers including base for optimal product display
3736254	138L	36kg	
	External (mm)	Internal (mm)	Packaged (mm)
Width	598	490	650
Depth	643	400	650
Height	824	680	885

2 YEAR EXTRA CARE WARRANTY

Green Cooling
FULL STAINLESS STEEL EXTERIOR

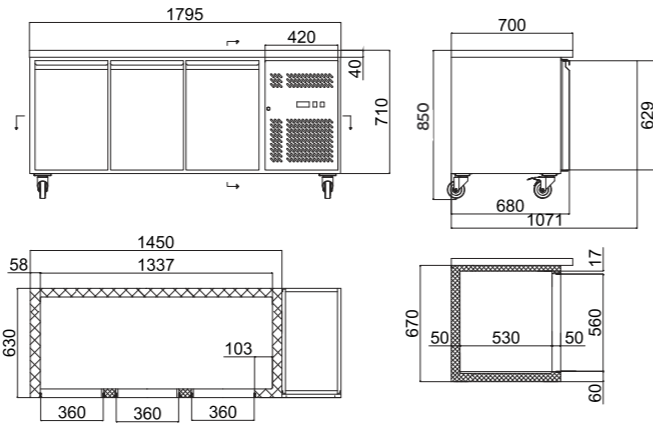


Under Bench Storage Fridge 2 Doors **UBC1360SD-NR**

Part No.	Volume	Weight	<ul style="list-style-type: none"> • Temperature range: +1°C to +5°C • Max ambient temp: 38°C • 4 stars GEMS rating • 4M1 climate class • 3 shelf tiers including base for optimal product display
3735204-NR	282L	110kg	
	External (mm)	Internal (mm)	Packaged (mm)
Width	1360	902	1390
Depth	700	530	730
Height	850	589	910

2 YEAR EXTRA CARE WARRANTY

Green Cooling
FULL STAINLESS STEEL EXTERIOR



Under Bench Storage Fridge 3 Doors

UBC1795SD-NR

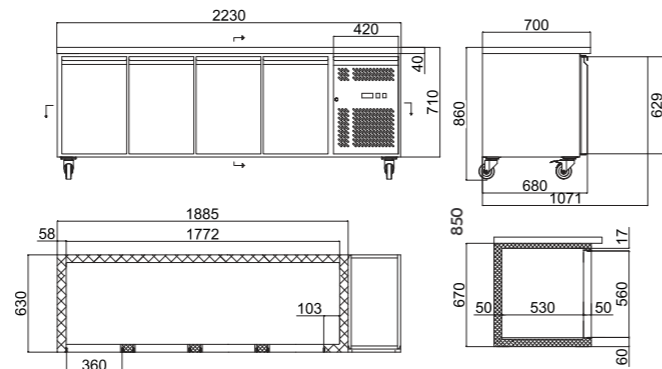
Part No.	Volume	Weight
3735206-NR	417L	142kg

- Temperature range: +1°C to +5°C
- Max ambient temp: 38°C
- 4 stars GEMS rating
- 4M1 climate class
- 3 shelf tiers including base for optimal product display

2 YEAR EXTRA CARE WARRANTY



FULL STAINLESS STEEL EXTERIOR



Under Bench Storage Fridge 4 Doors

UBC2230SD-NR

Part No.	Volume	Weight
3735209-NR	553L	173kg

- Temperature range: +1°C to +5°C
- Max ambient temp: 38°C
- 4 stars GEMS rating
- 4M1 climate class
- 3 shelf tiers including base for optimal product display

2 YEAR EXTRA CARE WARRANTY



FULL STAINLESS STEEL EXTERIOR



Under Bench Storage Freezers

Our Under Bench Freezers are designed to fit neatly under existing benches, ensuring that frozen ingredients are always within reach and reliably maintained at a stable temperature, which is vital for food safety.

The food-grade stainless steel bench top provides a hygienic surface and doubles as an additional workspace

Keep your bar area neat and tidy with our seamless under bench installation, saving valuable floor space

Our fridge uses a natural refrigerant, which not only helps you save on energy bills but also reduces your carbon footprint

Stainless steel self-closing doors minimise temperature loss, ensuring your items stay perfectly frozen without wasting energy



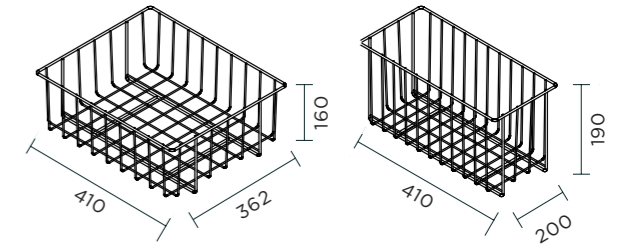
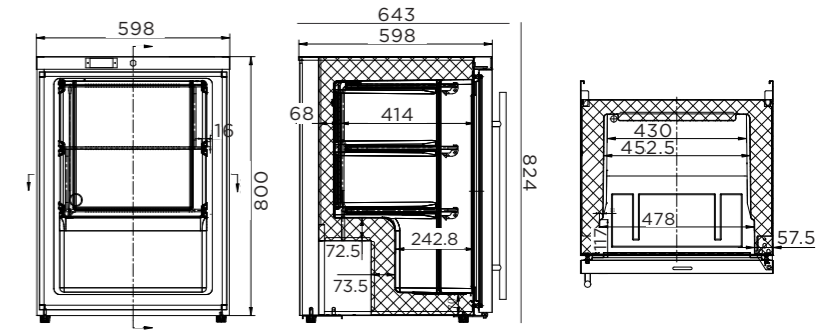
Move and position the fridge effortlessly with the castors, allowing you to adapt the setup according to your needs

With adjustable shelves and a base, you can easily fit items of all shapes and sizes, maximising your storage

Narrow wired shelf design and shelf extenders ensure items stay securely in place

Easily adjust and monitor the temperature to ensure that frozen products are always within reach and are kept reliably at the right temperature, vital for maintaining food safety

Designed for the demands of a busy commercial environment, our freezer features a durable stainless steel construction that can withstand heavy use



Under Bench Storage Freezer

UBF0140SD-NR

Part No.	Volume	Weight
3736256	115L	38kg
	External (mm)	Internal (mm)
Width	598	490
Depth	643	400
Height	824	680
	Packaged (mm)	
Width	650	
Depth	650	
Height	885	

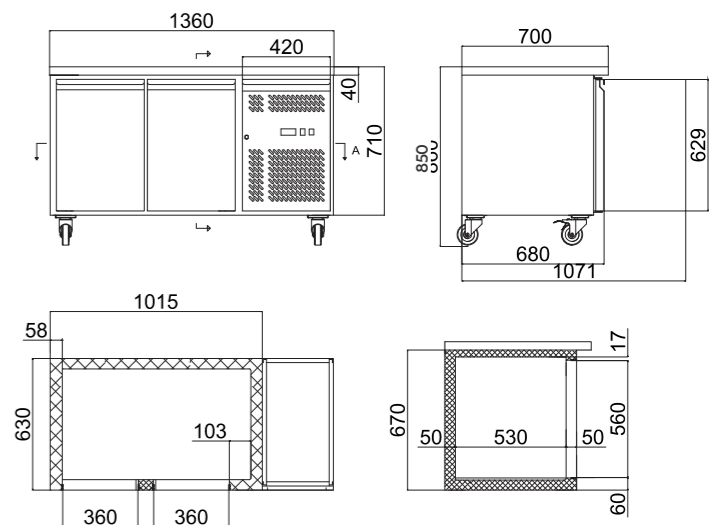
- Temperature range: -24°C to -16°C
- Max ambient temp: 32°C
- 7 stars GEMS rating
- 3L1 climate class
- 3 baskets included for optimal product display

2 YEAR EXTRA CARE WARRANTY



Green Cooling

FULL STAINLESS STEEL EXTERIOR



Under Bench Storage Freezer 2 Doors

UBF1360SD-NR

Part No.	Volume	Weight
3736230-NR	282L	109kg
	External (mm)	Internal (mm)
Width	1360	902
Depth	700	530
Height	850	589
	Packaged (mm)	
Width	1390	
Depth	730	
Height	910	

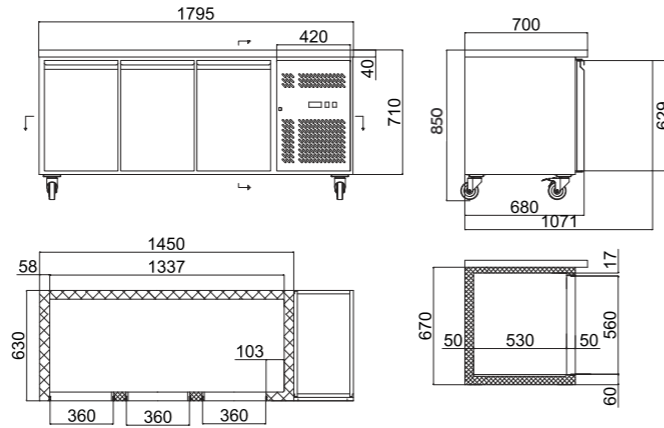
- Temperature range: -22°C to -18°C
- Max ambient temp: 38°C
- 2 stars GEMS rating
- 4L1 climate class
- 3 shelf tiers including base for optimal product display

2 YEAR EXTRA CARE WARRANTY



Green Cooling

FULL STAINLESS STEEL EXTERIOR

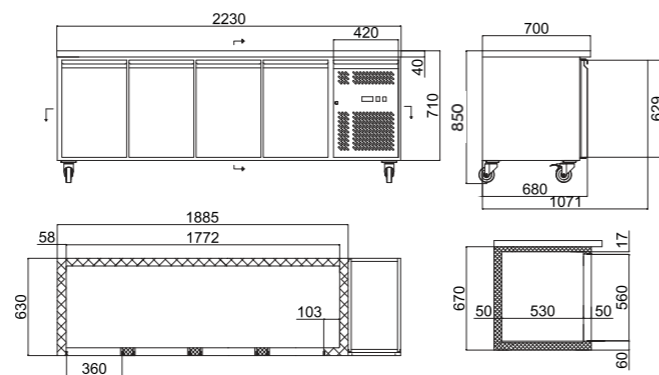


Under Bench Storage Freezer 3 Doors **UBF1795SD-NR**

Part No.	Volume	Weight	<ul style="list-style-type: none"> • Temperature range: -22°C to -18°C • Max ambient temp: 38°C • 2 stars GEMS rating • 4L1 climate class • 3 shelf tiers including base for optimal product display
3736231-NR	417L	140kg	

	External (mm)	Internal (mm)	Packaged (mm)
Width	1795	1337	1825
Depth	700	530	730
Height	850	589	910

2 YEAR EXTRA CARE WARRANTY



Under Bench Storage Freezer 4 Doors **UBF2230SD-NR**

Part No.	Volume	Weight	<ul style="list-style-type: none"> • Temperature range: -22°C to -18°C • Max ambient temp: 38°C • 2 stars GEMS rating • 4L1 climate class • 3 shelf tiers including base for optimal product display
3736232-NR	553L	155kg	

	External (mm)	Internal (mm)	Packaged (mm)
Width	2230	1772	2260
Depth	700	530	740
Height	850	589	910

2 YEAR EXTRA CARE WARRANTY





Model	UBC0140GD-NR	UBC1360GD-NR	UBC1795GD-NR	UBC2230GD-NR
Part Number	3736255	3735213-NR	3735211-NR	3735212-NR
External Width (mm)*	598	1360	1795	2230
External Depth (mm)*	643	730	730	730
External Height (mm)*	824	850	850	850
Volume	138L	282L	417L	553L
Unit Weight	45kg	122kg	151kg	180kg
Adjustable Temp. Range	+1 to +10°C	+1 to +5°C	+1 to +5°C	+1 to +5°C
Max. Ambient Temp.	32°C	32°C	32°C	32°C
Climate Class	3M1	3M1	3M1	3M1
Energy Consumption	1.396kWh/24h	3.64kWh/24h	4.75kWh/24h	6.08kWh/24h
GEMS Star Rating	6 stars	3 stars	2 stars	2 stars
Refrigeration Capacity	100W	245W	245W	345W
Rated Current	1.2A	3.64A	4.75A	6.08A
Electrical Voltage	220-240V	220-240V	220-240V	220-240V
Refrigerant	R600a	R600a	R600a	R290
Frequency	50Hz	50Hz	50Hz	50Hz
Power Supply	Single Phase	Single Phase	Single Phase	Single Phase
Power Plug	1 x 10A	1 x 10A	1 x 10A	1 x 10A
Plug Location	Rear, bottom	Rear, bottom right	Rear, bottom right	Rear, bottom right
Features				
Internal Light	LED	LED	LED	LED
Number of Doors	1	2	3	4
Door Type	Glass	Glass	Glass	Glass
Door Glass Type	Double Glazed	Double Glazed	Double Glazed	Double Glazed
Door Style	Hinged	Hinged	Hinged	Hinged
Door Swing Dimension	594mm	371mm	371mm	371mm
Total Depth of Door Open	1153mm	1071mm	1071mm	1071mm
Self-Closing Door	Yes	Yes	Yes	Yes
Door Lock	Yes	No	No	No
Number of Shelf Tiers incl. Base	4	3	3	3
Shelf Type	Adjustable	Adjustable	Adjustable	Adjustable
Shelves Dimensions	510(w) x 360(d) mm	330(w) x 530(d) mm	333(w) x 530(d) mm	333(w) x 530(d) mm
Temp. Controller	Digital	Digital	Digital	Digital
Feet / Castors	No, Feet + Rollers	Yes	Yes	Yes
Colour	Stainless Steel	Stainless Steel	Stainless Steel	Stainless Steel
Warranty				
Parts & Labour (Years)	2	2	2	2
Bromic Extra Care	Yes	Yes	Yes	Yes



Model	UBC0140SD-NR	UBC1360SD-NR	UBC1795SD-NR	UBC2230SD-NR
Part Number	3736254	3735204-NR	3735206-NR	3735209-NR
External Width (mm)*	598	1360	1795	2230
External Depth (mm)*	643	700	700	700
External Height (mm)*	824	850	850	850
Volume	138L	282L	417L	553L
Unit Weight	36kg	110kg	142kg	173kg
Adjustable Temp. Range	+1 to +10°C	+1 to +5°C	+1 to +5°C	+1 to +5°C
Max. Ambient Temp.	32°C	38°C	38°C	38°C
Climate Class	3M1	4M1	4M1	4M1
Energy Consumption	0.98kWh/24h	3.024kWh/24h	3.341kWh/24h	3.768kWh/24h
GEMS Star Rating	8 stars	4 stars	4 stars	4 stars
Refrigeration Capacity	100W	245W	245W	345W
Rated Current	1.2A	2A	2A	2.7A
Electrical Voltage	220-240V	220-240V	220-240V	220-240V
Refrigerant	R600a	R600a	R600a	R290
Frequency	50Hz	50Hz	50Hz	50Hz
Power Supply	Single Phase	Single Phase	Single Phase	Single Phase
Power Plug	1 x 10A	1 x 10A	1 x 10A	1 x 10A
Plug Location	Rear, bottom	Rear, Bottom Right	Rear, Bottom Right	Rear, Bottom Right
Features				
Internal Light	No	No	No	No
Number of Doors	1	2	3	4
Door Type	Solid	Solid	Solid	Solid
Door Glass Type	-	-	-	-
Door Style	Hinged	Hinged	Hinged	Hinged
Door Swing Dimension	594mm	371mm	371mm	371mm
Total Depth of Door Open	1156mm	1071mm	1071mm	1071mm
Self-Closing Door	Yes	Yes	Yes	Yes
Door Lock	Yes	No	No	No
Number of Shelf Tiers incl. Base	4	3	3	3
Shelf Type	Adjustable	Adjustable	Adjustable	Adjustable
Shelves Dimensions	510(w) x 360(d) mm	333(w) x 530(d) mm	333(w) x 530(d) mm	333(w) x 530(d) mm
Temp. Controller	Digital	Digital	Digital	Digital
Feet / Castors	No, Feet + Rollers	Yes	Yes	Yes
Colour	Stainless Steel	Stainless Steel	Stainless Steel	Stainless Steel
Warranty				
Parts & Labour (Years)	2	2	2	2
Bromic Extra Care	Yes	Yes	Yes	Yes



Model	UBF0140SD-NR	UBF1360SD-NR	UBF1795SD-NR	UBF2230SD-NR
Part Number	3736256	3736230-NR	3736231-NR	3736232-NR
External Width (mm)*	598	1360	1795	2230
External Depth (mm)*	643	700	700	700
External Height (mm)*	824	850	850	850
Volume	115L	282L	417L	553L
Unit Weight	38kg	109kg	140kg	155kg
Adjustable Temp. Range	-24 to -16°C	-22 to -18°C	-22 to -18°C	-22 to -18°C
Max. Ambient Temp.	32°C	38°C	38°C	38°C
Climate Class	3L1	4L1	4L1	4L1
Energy Consumption	1.65kWh/24h	8.01kWh/24h	9.11kWh/24h	11kWh/24h
GEMS Star Rating	7 stars	2 stars	2 stars	2 stars
Refrigeration Capacity	100W	774W	774W	774W
Rated Current	1.2A	4.5A	4.5A	4.5A
Electrical Voltage	220-240V	220-240V	220-240V	220-240V
Refrigerant	R600a	R290	R290	R290
Frequency	50Hz	50Hz	50Hz	50Hz
Power Supply	Single Phase	Single Phase	Single Phase	Single Phase
Power Plug	1 x 10A	1 x 10A	1 x 10A	1 x 10A
Plug Location	Rear, bottom	Rear, Bottom Right	Rear, Bottom Right	Rear, Bottom Right
Features				
Internal Light	No	No	No	No
Number of Doors	1	2	3	4
Door Type	Solid	Solid	Solid	Solid
Door Glass Type	-	-	-	-
Door Style	Hinged	Hinged	Hinged	Hinged
Door Swing Dimension	594mm	371mm	371mm	371mm
Total Depth of Door Open	1156mm	1071mm	1071mm	1071mm
Self-Closing Door	Yes	Yes	Yes	Yes
Door Lock	Yes	No	No	No
Number of Shelf Tiers incl. Base	3	3	3	3
Shelf Type	-	Adjustable	Adjustable	Adjustable
Shelves Dimensions	2 x 410(w) x 362 (d) x 160(h) mm, 1 x 410(w) x 200(d) x 190 (h) mm	330(w) x 530(d) mm	333(w) x 530(d) mm	333(w) x 530(d) mm
Temp. Controller	Digital	Digital	Digital	Digital
Feet / Castors	No, Feet + Rollers	Yes	Yes	Yes
Colour	Stainless Steel	Stainless Steel	Stainless Steel	Stainless Steel
Warranty				
Parts & Labour (Years)	2	2	2	2
Bromic Extra Care	Yes	Yes	Yes	Yes



BROMIC REFRIGERATION

10 Phiney Place, Ingleburn (Sydney)
NSW 2565 Australia
T. 1300 276 642

For further product information
bromicrefrigeration.com.au

