

# Ice Machine Storage Bin 406kg

| Ice Machines

Stainless steel construction for corrosion resistance and easy cleaning

Insulated with polyurethane to slow down melting and maximise ice lifespan

Bromic Extra Care Warranty - 3 Years Parts, 1 Year Labour

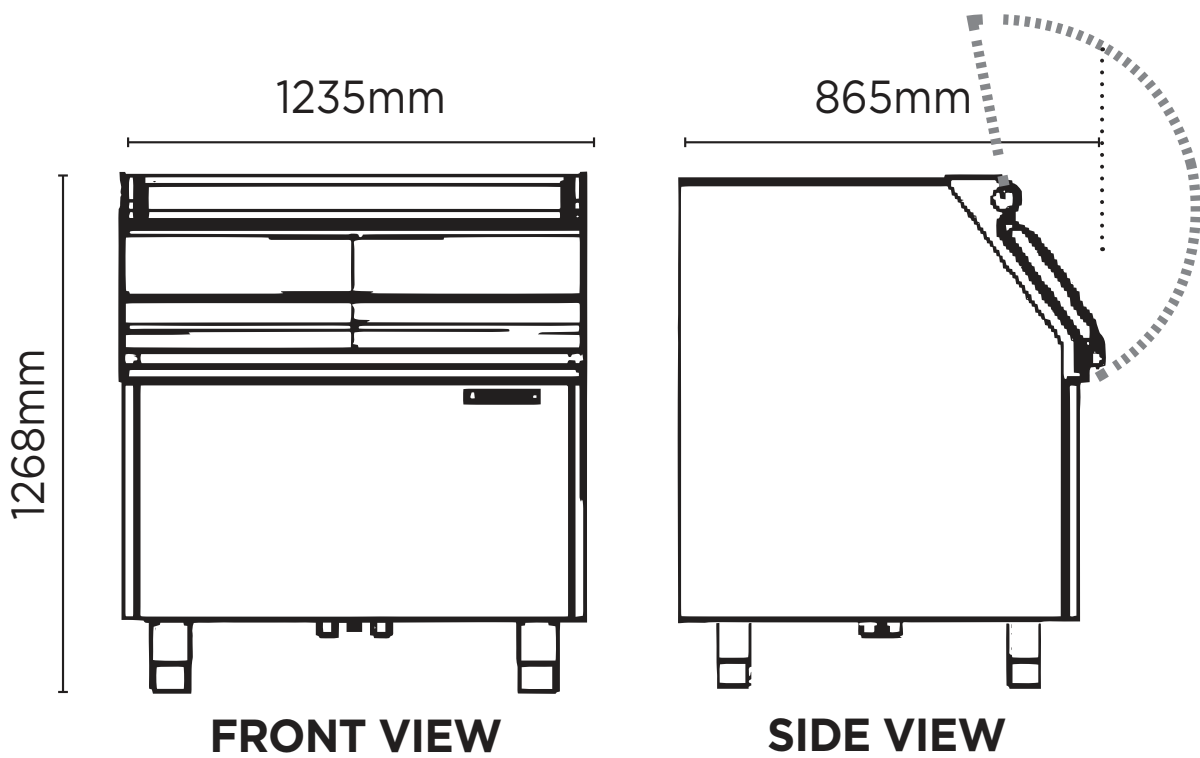


Agion®-treated materials prevent bacteria growth for maximum hygiene



# Ice Machine Storage Bin 406kg

| Ice Machines



SPECIFICATIONS				DIMENSIONS	
Model	SB406	Storage Bin Capacity	406kg	<b>External (mm)</b>	
Part Number	3935273	Warranty	3 Years Parts & 1 Year Labour Bromic Extra Care	Width	1235
Unit Weight	104kg			Depth	865
Packaged Weight	109kg			Height	1268
				<b>Packaged (mm)</b>	
				Width	1285
				Depth	915
				Height	1318