

SB243

**BROMIC**  
REFRIGERATION

## Ice Machine Storage Bin 243kg

| Ice Machines

Stainless steel construction for  
corrosion resistance and easy cleaning

Insulated with polyurethane  
to slow down melting and  
maximise ice lifespan

Bromic Extra Care Warranty -  
3 Years Parts, 1 Year Labour



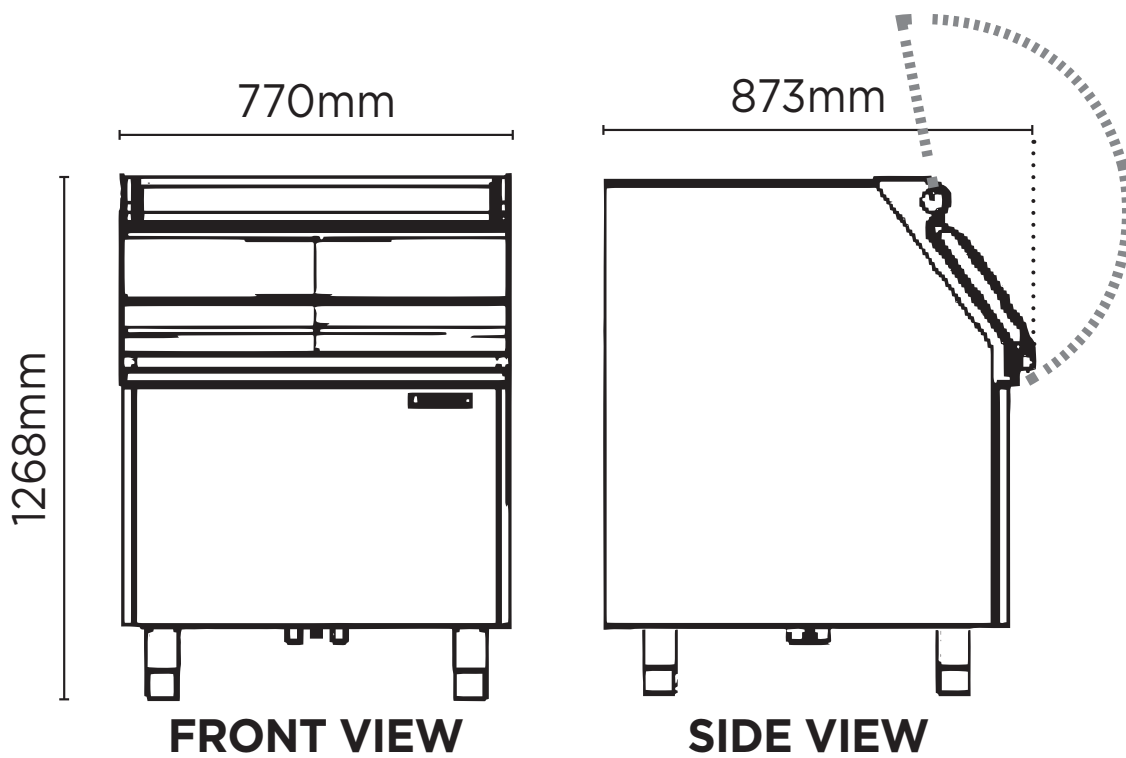
Agion®-treated materials  
prevent bacteria growth for  
maximum hygiene



# Ice Machine Storage Bin

## 243kg

| Ice Machines



<b>SPECIFICATIONS</b>	<b>DIMENSIONS</b>
-----------------------	-------------------

Model	SB243	Storage Bin Capacity	243kg	<b>External (mm)</b>
Part Number	3935272	Warranty	3 Years, Parts & 1 Year Labour	<b>Width</b>
Unit Weight	68kg		Bromic Extra Care	<b>Depth</b>
Packaged Weight	73kg			<b>Height</b>
				<b>Packaged (mm)</b>
				<b>Width</b>
				<b>Depth</b>
				<b>Height</b>