

MediFridge Vaccine Fridge 372L

| Medical Refirgeration



Digital temperature controller for easy temperature adjustment

Audible alarm system prevents accidental exposure to warm temperatures

Integrated lock for preventing unauthorised access to vaccines

Fan forced to keep even temperature cooling throughout the unit

Internal LED light to easily locate items in any lighting conditions

BMS dry contact point for easy integration with monitoring system

5 adjustable shelves for easy positioning and organisation of your items

Pharmacy Guild-

Double-glazed door with self-closing mechanism minimises heat transfer

5 Years Bromic Extra Care Warranty - Labour and

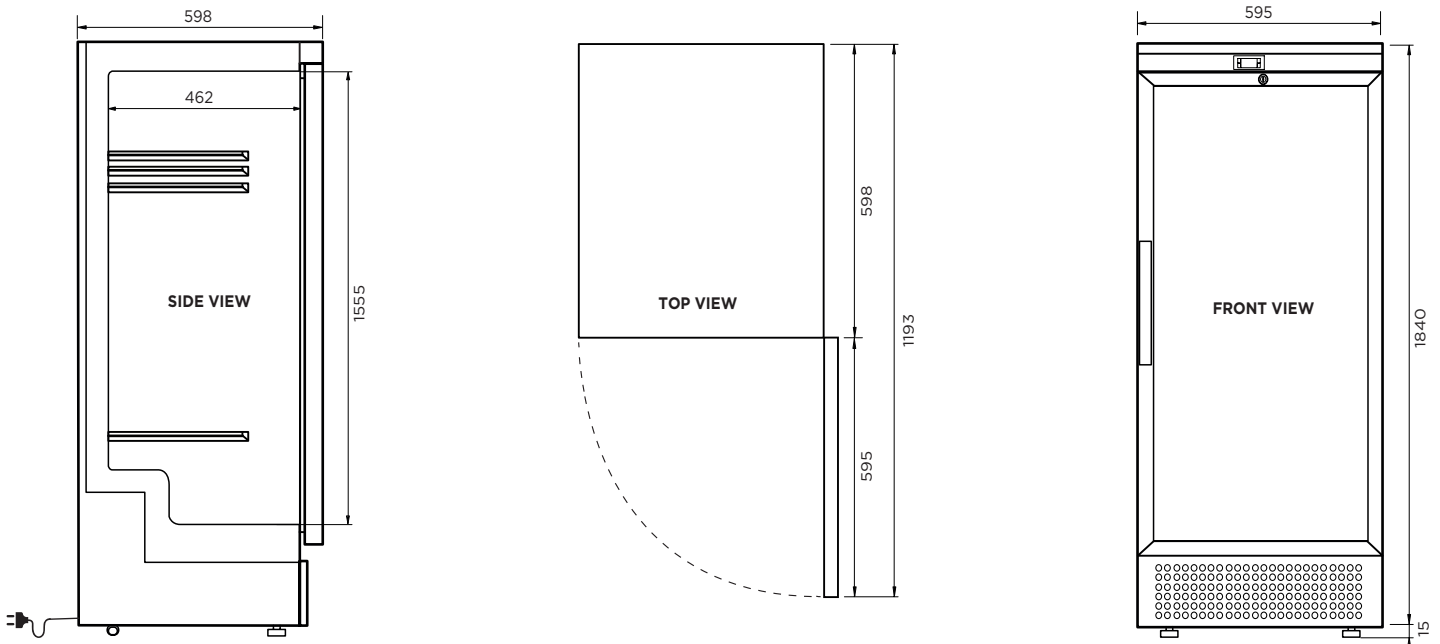
Min/Max temperature recording to track temperature fluctuations

Natural Refrigerant for improved energy efficiency and sustainable cooling



MediFridge Vaccine Fridge 372L

Medical Refirgeration



SPECIFICATIONS

Model Number	MED0374GD-NR
Part Number	3736218-NR
Volume	372L
Unit Weight	81kg
Packaged Weight	86kg
Temperature Range	+2°C to 8°C
Max Ambient Temperature	32°C
Climate Class	4M2
Energy Consumption	1.98kWh/24h
Refrigeration Capacity	350W
Air-Circulation	Fan-Forced
Refrigeration Capacity	R600a
Rated Current	1.23A
Electrical Voltage	220-240V
Frequency	50Hz
Power Supply	Single Phase
Power Plug	1 x 10A
Plug Location	Rear, bottom right
Colour	White
Internal Light	LED

No. of Doors	1
Door Type	Glass
Door Glass Type	Double glazed Low-E Glass + Argon Gas
Door Shape	Flat
Door Style	Hinged
Door Lock	Yes
Self-Closing Door	Yes
Door Swing Dimensions	590mm
Total Depth of Door Open	1190mm
No. of Shelves Incl. Base	6
Shelf Type	Adjustable
Shelf Dimensions	500(w) x 400(d) mm
Defrost System	Automatic
Temp. Controller	Digital
Castors	No, feet + rollers
Min/Max Temp Recorder	Yes
Temp Alarm	Yes
Door Alarm	Yes
Audible & Visual Alarm	Yes
Warranty	5 Years Bromic Extra Care Warranty - Labour and Parts

DIMENSIONS

External (mm)	
Width	595
Depth	598
Height	1840
Internal (mm)	
Width	505
Depth	462
Height	1555
Packaged (mm)	
Width	665
Depth	685
Height	2010