

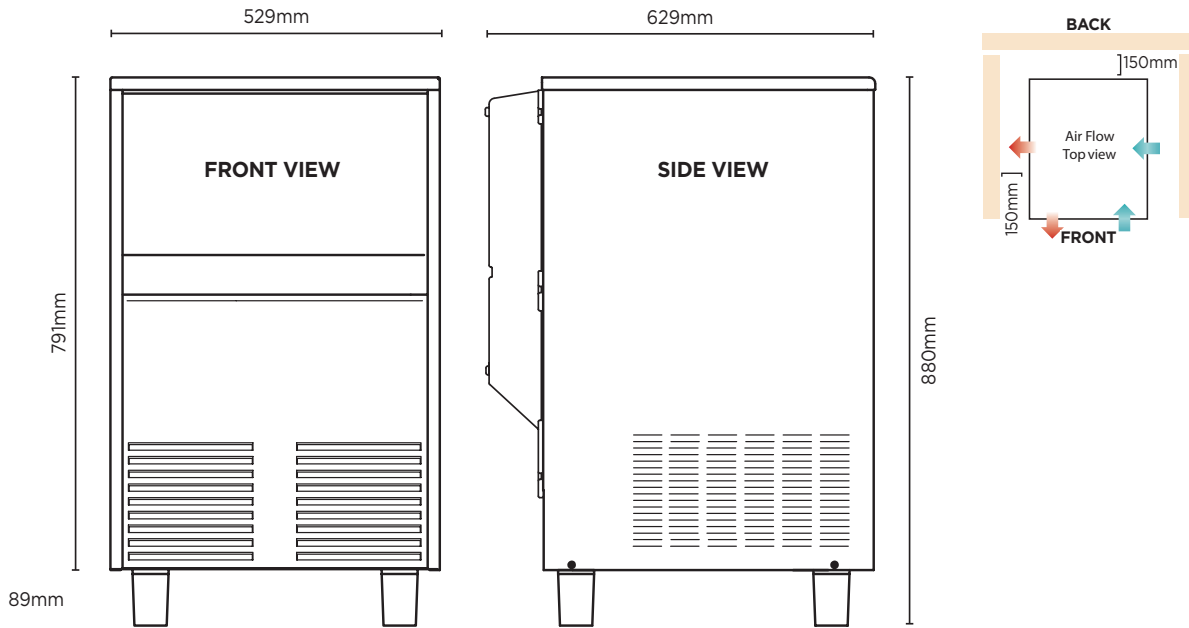
Self-Contained Ice Machine Flake - 70kg/24h - 25kg Capacity

| Ice Machines

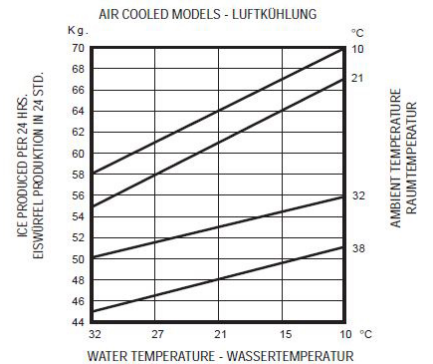


Self-Contained Ice Machine Flake - 70kg/24h - 25kg Capacity

| Ice Machines



Flake Ice



SPECIFICATIONS

Model	IM0070FSC	Frequency	50Hz
Part Number	3935220	Power Supply	Single Phase
Unit Weight	51kg	Plug Supplied	1 x 10A
Packaged Weight	56kg	Plug Location	Rear, bottom right
Ambient Temperature	40°C	Water Consumption	2.2L/h
Energy Consumption	7.5kWh/24h	Maximum Daily Production	70kg/24h
Refrigeration Capacity	340W	Ice Type	Flake
Refrigerant	R134a	Storage Bin Compatibility	25kg
Current	2.2A	Warranty	3 Years Parts & 1 Year Labour
Electrical Voltage	220-240V		Bromic Extra Care

External height excludes legs
Production is based on kg/24hr at 10°C air & 10°C water

DIMENSIONS

	External (mm)
Width	529
Depth	629
Height	791
Packaged (mm)	
Width	600
Depth	690
Height	960