

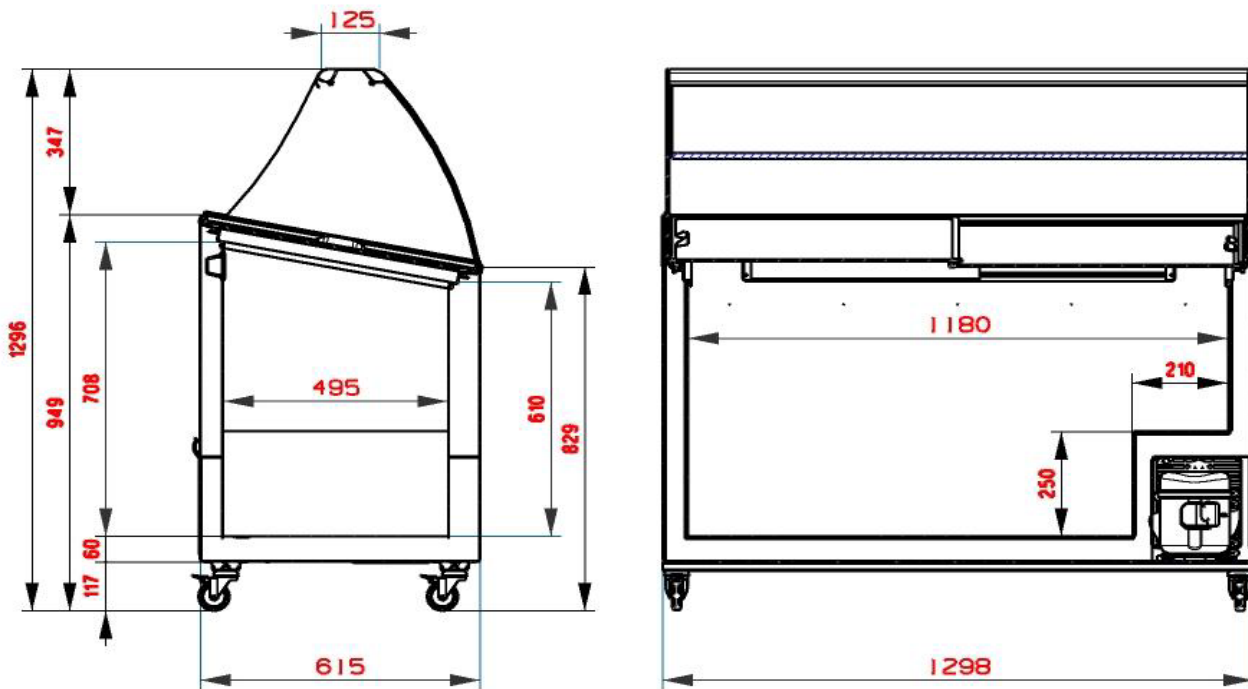
Gelato Chest Freezer 7 Basket

| Gelato / Ice Cream Displays



Gelato Chest Freezer 7 Basket

| Gelato / Ice Cream Displays



| SPECIFICATIONS | | | | DIMENSIONS | |
|--------------------------|------------------------|----------------------------------|---|---------------|----------------------|
| Part Number | 3735262-NR | Internal Light | Fluorescent | | External (mm) |
| Volume | 352L | Door Lock | Yes | | |
| Unit Weight | 81kg | No. of Lids | 2 | Width | 1298 |
| Packaged Weight | 91kg | Lid Type | Glass | Depth | 615 |
| Adjustable Temp. Range | -22 to -12°C | Lid Style | Sliding | Height | 1296 |
| Max. Ambient Temp. Range | 35°C | No. of Tubs / Pans Incl. | 7 | | |
| Climate Class | 4L1 | Tub / Pan Dimensions | 165(w) x 360(d) x 120(h) mm | | Internal (mm) |
| Energy Consumption | 3.99 kWh/24h | Tub Support Framework Dimensions | 1298(w) x 615(d) mm | Width | 1180 |
| GEMS Star Rating | 8 stars | Defrost System | Manual | Depth | 495 |
| Refrigeration Capacity | 300W | Temp. Controller | Analogue | Height | 708 |
| Refrigerant | R290 | Canopy | Yes | | |
| Air-Circulation | Static | Rear Storage | No | | |
| Rated Current | 2.3A | Tubs in Storage | 7 | | Packaged (mm) |
| Electrical Voltage | 220-240V | Castors | Yes | Width | 1348 |
| Frequency | 50Hz | Colour | White | Depth | 665 |
| Power Supply | Single Phase | Warranty | 2 Years Bromic Extra Care Warranty - Labour and Parts | Height | 1346 |
| Power Plug | 1 x 10A | | | | |
| Plug Location | Compressor Compartment | | | | |