

FD4T1200H

**BROMIC**  
REFRIGERATION

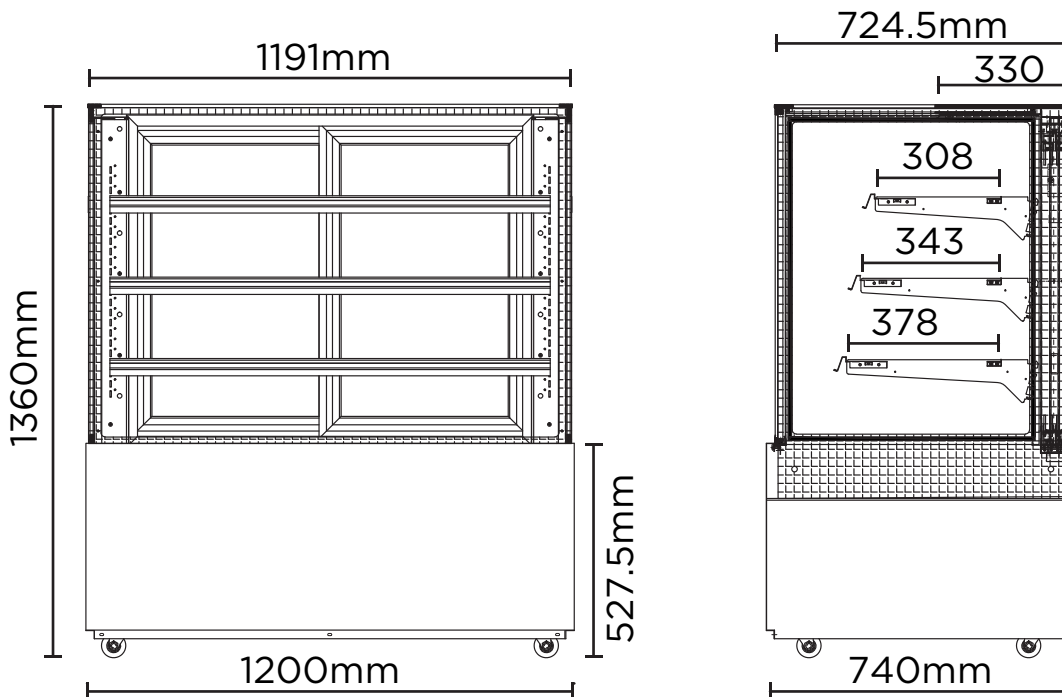
## Hot Food Display 1200mm - 4 Tier

| Food Displays



## Hot Food Display 1200mm - 4 Tier

| Food Displays



### SPECIFICATIONS

Part Number	3736305
Volume	542L
Unit Weight	204kg
Packaged Weight	214kg
Adjustable Temp. Range	+50°C to +70°C
Refrigeration Capacity	1000W
Rated Current	9.9A
Electrical Voltage	220-240V
Frequency	50Hz
Power Supply	Single Phase
Power Plug	1 x 15A
Plug Location	Rear, Bottom Right
Internal Light	Fluorescent
No. of Doors	2

Colour Temperature	Warm
Door Type	Glass
Door Glass Type	Single Glazed
Door Style	Sliding
Self-Closing Door	No
No. of Shelves Incl. Base Per Door	4
Shelves Type	Adjustable
Shelf Dimensions	1117(w) x 307(d), 1117(w) x 342(d), 1117(w) x 377(d) mm
Temp. Controller	Digital
Castors	Yes
Warranty	2 Years, Parts & Labour Bromic Extra Care

### DIMENSIONS

	<b>External (mm)</b>
<b>Width</b>	1200
<b>Depth</b>	740
<b>Height</b>	1360
	<b>Internal (mm)</b>
<b>Width</b>	1174
<b>Depth</b>	647
<b>Height</b>	828
	<b>Packaged (mm)</b>
<b>Width</b>	1300
<b>Depth</b>	850
<b>Height</b>	1510