

BROMIC
REFRIGERATION

Confidence and control.

Deli Display Fridges

Curved Glass | Square Glass





Industry Leaders in Plug-in Commercial Refrigeration



Refrigeration Specialists

Since 1999, we have curated a range that spans the wide spectrum of plug-in refrigeration equipment to meet the needs of businesses in hospitality, retail, and healthcare sectors.



Expert Local Support

We offer a tailored equipment solution, taking into consideration your specific needs. We then connect you with a trusted local dealer who stocks the units you require.



Confident Compliance

Our in-house engineering team ensures that our products meet and exceed Australian standards and regulations, including MEPS, GEMS, RCM, Watermark, and others.



Energy Efficiency and Sustainability

We proudly lead the way with our Green Cooling initiative. All our ranges utilise natural refrigerants, which are highly energy-efficient and have a close to 0 GWP (Global Warming Potential).



Available Australia-wide

With a nationwide distribution network, we can deliver our refrigeration products to your door quickly and efficiently.



5 YEAR Extra Care Warranty Service

We offer a one-stop support service for your peace of mind, no matter where you are in Australia.

Legend



NON-PERISHABLE DRINKS



HOT FOODS



DAIRY PRODUCTS



ICE CREAM/GELATO



PERISHABLE PRODUCTS



FROZEN PRODUCTS



BAKERY/CONFECTIONERY



MEDICAL PRODUCTS

ICE TYPES	
	SOLID ICE
	HOLLOW ICE
	HALF-DICE ICE
	FLAKE ICE





Various packaged goods on the top shelf, including bags of flour and other dry ingredients.

Condiments and oils on the top shelf, including bottles of vinegar and oil.

More condiments and oils on the top shelf, including jars of sauce and bottles of oil.

Condiments and oils on the top shelf, including bottles of oil and jars of sauce.



Various packaged goods on the top shelf, including boxes of cereal or other dry goods.

Condiments and oils on the top shelf, including bottles of oil and jars of sauce.

Condiments and oils on the top shelf, including bottles of oil and jars of sauce.

BRO



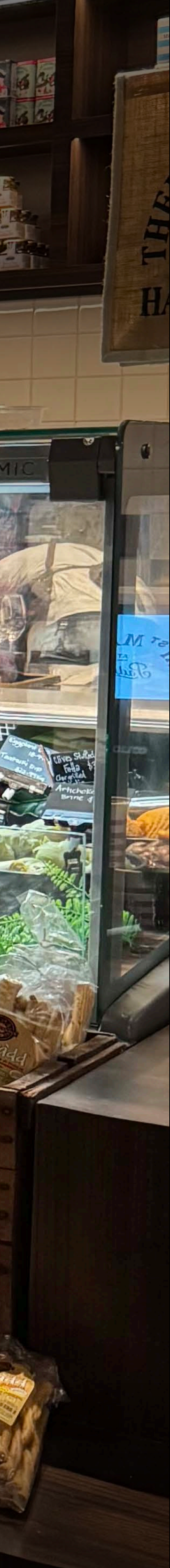
Stacks of SGAMBARO pasta packages in various sizes and flavors.

CO TARADEA bread packages, including various styles like braided and twisted breads.

Cans of BEANitos, a brand of beans or pasta sauce.

Jars of jam or preserves, likely used for bread or pastries.

FORNO BONOMI flour packages, including whole wheat and all-purpose flour.



Deli Display Fridges

Bromic's range of Deli Display Fridges has been engineered with a focus on durability, practicality, and food safety. The displays can be used standalone or seamlessly combined to create a self-contained service area in your shop.

Deli Display Fridges & Accessories

Create an eye-catching display with our Deli Display Fridges. They feature a hydraulic lift-up glass and bright LED lighting to beautifully present your delicacies. These units can be used as standalone pieces or multiplexed to suit your specific needs.

Save on energy costs and reduce environmental impact with natural refrigerant

Bright LED lighting in natural light to enhance the presentation of displayed food

Rear bench provides convenient space for preparing and arranging your deli foods

The unit features removable display trays for easy cleaning plus removable front panel to quickly access and clean the unit for optimal performance

Choose between standalone use or multiplexing to expand the display area

Enjoy easy access to food items with the hydraulic lift-up front glass

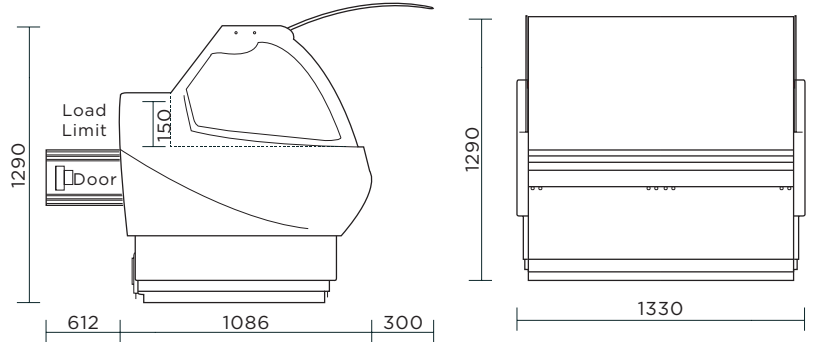
Accurate temperature control with a digital controller

Additional refrigerated storage space at the back to maximise storage

Move the fridge around with ease thanks to castors

Specially designed for safe storage of perishable foods with 3M1 climate class certification





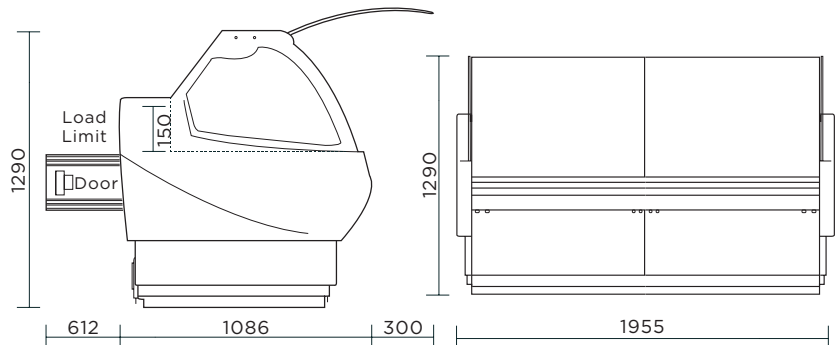
Deli Display Fridge (Curved Glass)

DD1250CG-NR

Part No.	Volume	Weight
3335636	351L	237kg
	External (mm)	Packaged (mm)
Width	1330	1350
Depth	1086	1180
Height	1290	1740

- Temperature range: -1°C to -10°C
- Max ambient temp: 25°C
- 3M1 climate class
- 1 door
- Hydraulic lift-up front glass
- Digital temperature controller
- Can be multiplexed or used standalone

5 YEAR EXTRA CARE WARRANTY



Deli Display Fridge (Curved Glass)

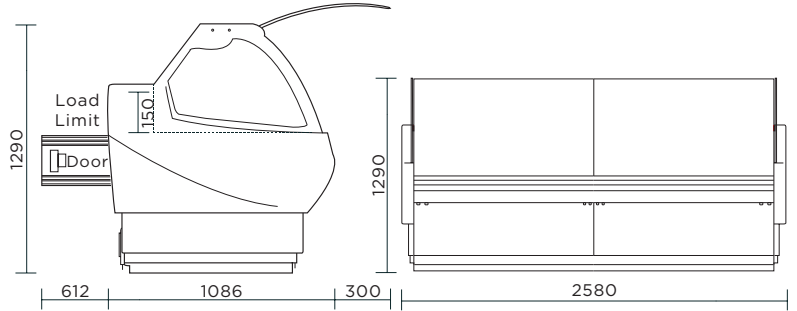
DD1875CG-NR

Part No.	Volume	Weight
3335637	527L	306kg
	External (mm)	Packaged (mm)
Width	1955	2000
Depth	1086	1180
Height	1290	1740

- Temperature range: -1°C to -10°C
- Max ambient temp: 25°C
- 3M1 climate class
- 2 doors
- Hydraulic lift-up front glass
- Digital temperature controller
- Can be multiplexed or used standalone

5 YEAR EXTRA CARE WARRANTY





Deli Display Fridge (Curved Glass)

DD2500CG-NR

Part No.	Volume	Weight
3335638	703L	381kg

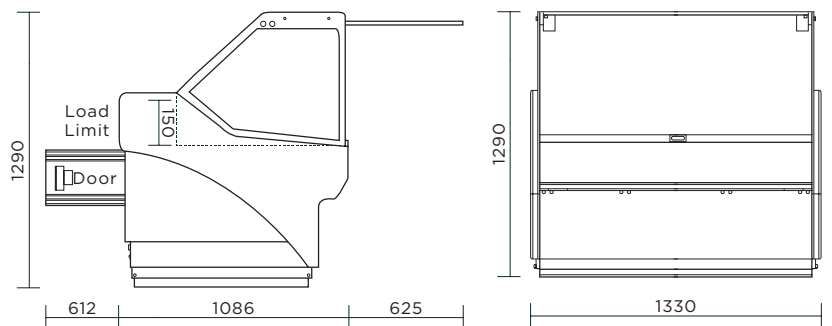
	External (mm)	Packaged (mm)
Width	2580	2650
Depth	1086	1180
Height	1290	1740

- Temperature range: -1°C to -10°C
- Max ambient temp: 25°C
- 3M1 climate class
- 3 doors
- Hydraulic lift-up front glass
- Digital temperature controller
- Can be multiplexed or used standalone

5 YEAR EXTRA CARE WARRANTY



SPECIAL ORDER



Deli Display Fridge (Square Glass)

DD1250SG-NR

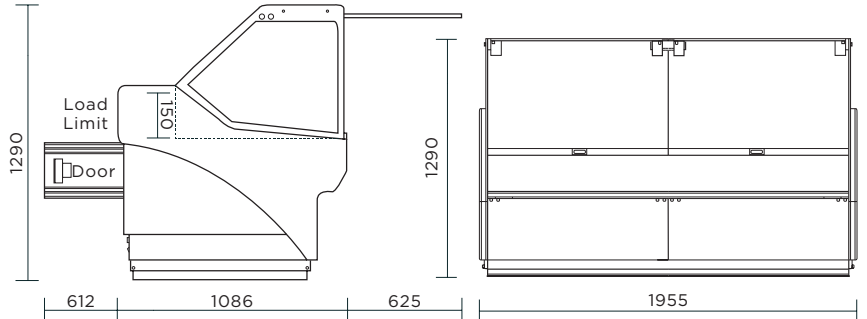
Part No.	Volume	Weight
3335631	351L	237kg

	External (mm)	Packaged (mm)
Width	1330	1350
Depth	1086	1180
Height	1290	1740

- Temperature range: -1°C to -10°C
- Max ambient temp: 25°C
- 3M1 climate class
- 1 door
- Hydraulic lift-up front glass
- Digital temperature controller
- Can be multiplexed or used standalone

5 YEAR EXTRA CARE WARRANTY





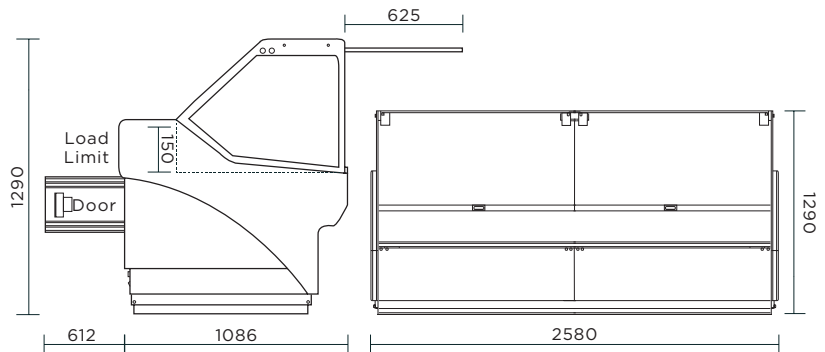
Deli Display Fridge (Square Glass)

DD1875SG-NR

Part No.	Volume	Weight
3335632	527L	306kg
	External (mm)	Packaged (mm)
Width	1955	2000
Depth	1086	1180
Height	1290	1740

- Temperature range: -1°C to -10°C
- Max ambient temp: 25°C
- 3M1 climate class
- 2 doors
- Hydraulic lift-up front glass
- Digital temperature controller
- Can be multiplexed or used standalone

5 YEAR EXTRA CARE WARRANTY



Deli Display Fridge (Square Glass)

DD2500SG-NR

Part No.	Volume	Weight
3335633	703L	381kg
	External (mm)	Packaged (mm)
Width	2580	2650
Depth	1086	1180
Height	1290	1740

- Temperature range: -1°C to -10°C
- Max ambient temp: 25°C
- 3M1 climate class
- 3 doors
- Hydraulic lift-up front glass
- Digital temperature controller
- Can be multiplexed or used standalone

5 YEAR EXTRA CARE WARRANTY



SPECIAL ORDER

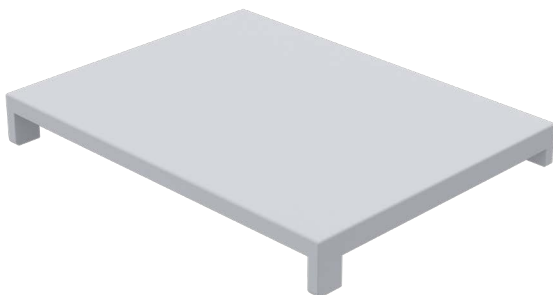
**Deli Display Fridge (Accessory)****PAPER HOLDER**

Part No. 3335630003

	External (mm)
Width	500
Depth	140
Height	200

5 YEAR EXTRA CARE WARRANTY

- Keep wrapping paper or labels nearby within easy reach
- Compatible with Bromic curved and square deli display fridges
- Available as an optional accessory
- Purchased separately

**Deli Display Fridge (Accessory)****CUTTING BOARD**

Part No. 3335630005

	External (mm)
Width	270
Depth	270
Height	40

5 YEAR EXTRA CARE WARRANTY

- At 350mm wide, it provides additional room for food preparation
- Compatible with Bromic curved and square deli display fridges
- Available as an optional accessory
- Purchased separately



Deli Display Fridge (Accessory)

KNIFE HOLDER

Part No. 3335630001

	External (mm)
Width	470
Depth	120
Height	460

5 YEAR EXTRA CARE WARRANTY

- Keep your knives and workspace organised with 2 round slots for butchers steels and 7 knife slots of various sizes
- Compatible with Bromic curved and square deli display fridges
- Available as an optional accessory
- Purchased separately



Deli Display Fridge (Accessory)

SCALE DECK

Part No. 3335630004

	External (mm)
Width	600
Depth	200
Height	90

5 YEAR EXTRA CARE WARRANTY

- Easily weigh and portion food items, freeing up your workspace for efficient food preparation
- Compatible with Bromic curved and square deli display fridges
- Available as an optional accessory
- Purchased separately


SPECIAL ORDER

Model	DD1250CG-NR	DD1875CG-NR	DD2500CG-NR
Part Number	3335636	3335637	3335638
External Width (mm)*	1330	1955	2580
External Depth (mm)*	1086	1086	1086
External Height (mm)*	1290	1290	1290
Volume	351L	527L	703L
Unit Weight	237kg	306kg	381kg
Adjustable Temp. Range	-1°C to 10°C	-1°C to 10°C	-1°C to 10°C
Max. Ambient Temp.	25°C	25°C	25°C
Climate Class	3M1	3M1	3M1
Energy Consumption	6.1kWh/24h	8.5kWh/24h	11.6kWh/24h
Hydraulic Lift-up System	Yes	Yes	Yes
Front Lifting Glass	Yes	Yes	Yes
Refrigeration Capacity	389W	497W	759W
Rated Current	1.69A	2.16A	3.30A
Electrical Voltage	220-240V	220-240V	220-240V
Refrigerant	R290	R290	R290
Frequency	50Hz	50Hz	50Hz
Power Supply	Single Phase	Single Phase	Single Phase
Power Plug	1 x 10A	1 x 10A	1 x 10A
Plug Location	Rear, bottom left	Rear, bottom left	Rear, bottom left
Features			
Colour Temperature	4000K	4000K	4000K
Internal Light	LED	LED	LED
Number of Doors	1	2	3
Door Type	Solid	Solid	Solid
Door Style	Hinged	Hinged	Hinged
Door Lock	No	No	No
Door Swing Dimension	612mm	612mm	612mm
Total Depth of Door Open	1698mm	1698mm	1698mm
Rear Storage	Yes	Yes	Yes
Defrost System	Automatic	Automatic	Automatic
Air Circulation	Fan Forced	Fan Forced	Fan Forced
Temp. Controller	Digital	Digital	Digital
Feet / Castors	Yes	Yes	Yes
Colour	Grey	Grey	Grey
Warranty			
Parts & Labour (Years)	5	5	5
Bromic Extra Care	Yes	Yes	Yes



SPECIAL ORDER

Model	DD1250SG-NR	DD1875SG-NR	DD2500SG-NR
Part Number	3335631	3335632	3335633
External Width (mm)*	1330	1955	2580
External Depth (mm)*	1086	1086	1086
External Height (mm)*	1290	1290	1290
Volume	351L	527L	703L
Unit Weight	237kg	306kg	381kg
Adjustable Temp. Range	-1°C to 10°C	-1°C to 10°C	-1°C to 10°C
Max. Ambient Temp.	25°C	25°C	25°C
Climate Class	3M1	3M1	3M1
Energy Consumption	6.1kWh/24h	8.5kWh/24h	11.6kWh/24h
Hydraulic Lift-up System	Yes	Yes	Yes
Front Lifting Glass	Yes	Yes	Yes
Refrigeration Capacity	389W	497W	759W
Rated Current	1.69A	2.16A	3.30A
Electrical Voltage	220-240V	220-240V	220-240V
Refrigerant	R290	R290	R290
Frequency	50Hz	50Hz	50Hz
Power Supply	Single Phase	Single Phase	Single Phase
Power Plug	1 x 10A	1 x 10A	1 x 10A
Plug Location	Rear, bottom left	Rear, bottom left	Rear, bottom left
Features			
Colour Temperature	4000K	4000K	4000K
Internal Light	LED	LED	LED
Number of Doors	1	2	3
Door Type	Solid	Solid	Solid
Door Style	Hinged	Hinged	Hinged
Door Lock	No	No	No
Door Swing Dimension	625mm	625mm	625mm
Total Depth of Door Open	1721mm	1721mm	1721mm
Rear Storage	Yes	Yes	Yes
Defrost System	Automatic	Automatic	Automatic
Air Circulation	Fan Forced	Fan Forced	Fan Forced
Temp. Controller	Digital	Digital	Digital
Feet / Castors	Yes	Yes	Yes
Colour	Grey	Grey	Grey
Warranty			
Parts & Labour (Years)	5	5	5
Bromic Extra Care	Yes	Yes	Yes

BROMIC REFRIGERATION

10 Phiney Place, Ingleburn (Sydney)
NSW 2565 Australia
T. 1300 276 642

For further product information
bromicrefrigeration.com.au

